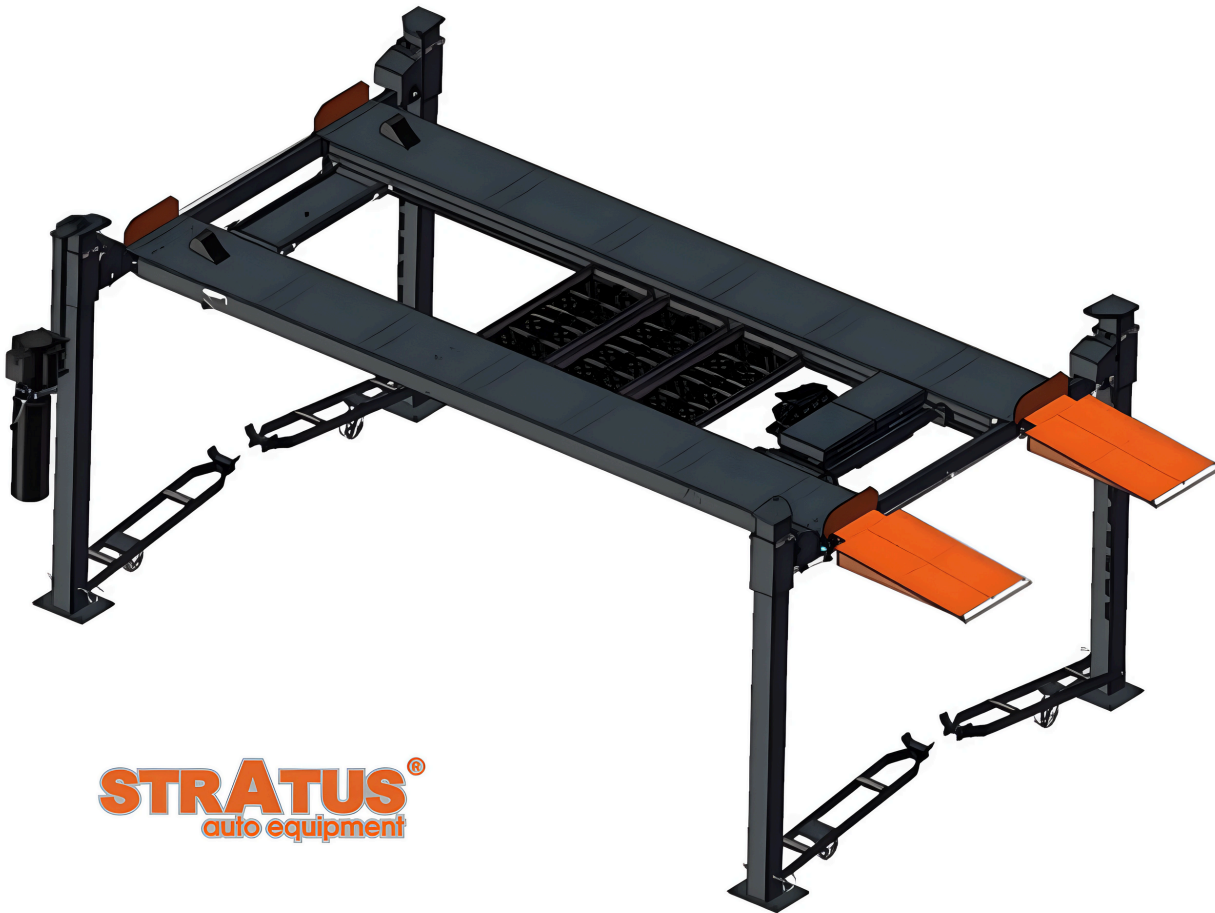


P48P

Stratus Extra Tall Extra Long Boxed Steel Construction & Sleeve Containment 8,000 lbs. Capacity Manual Release 4 Post Mobile Storage Parking Car Lift



STRATUS[®]
auto equipment

WWW.STRATUSAUTOEQUIP.COM

STRATUS[®]
auto equipment

Sales & Showroom

512-640-9896

5881 Imperial Loop Dr.

College Station, TX 77845

sales@stratusautoequip.com

Warehouse & Manufacturing

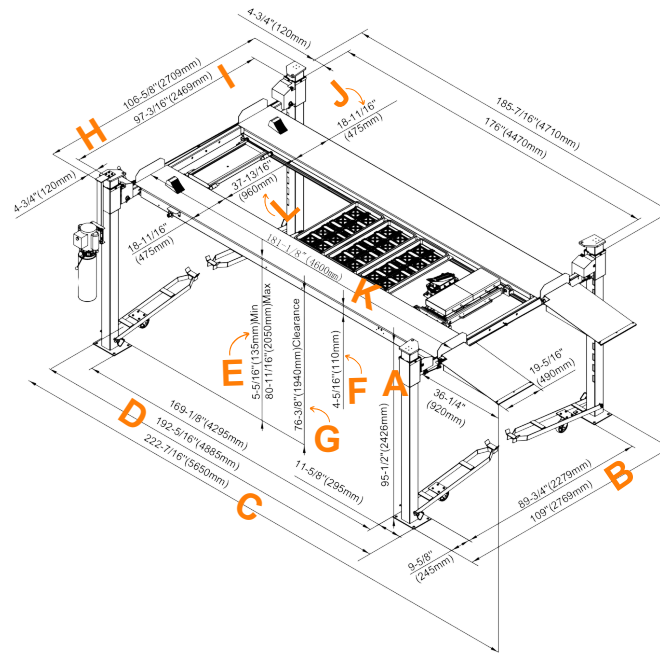
8413 Calibration Ct

College Station, TX 77845

TECHNICAL

Model	P48P
Capacity	8,000 LBS
Overall Height - A	95 1/2" (2426 MM)
Overall Width - B	109" (2769 MM)
Overall Length w/ ramps - C	222 7/16" (5650 MM)
Overall Length w/o ramps - D	192 5/16" (4885 MM)
Max Lifting Height - E	80 11/16" (2050 MM)
Min Lifting Height - F	5 5/16" (135 MM)
Clearance Height - G	76 3/8" (1940 MM)
Lifting Time	~ 50SEC
Width Outside Columns - H	106 5/8" (2709 MM)
Width Inside Columns - I	97 3/16" (2469 MM)
Runway width - J	18 11/16" (475 MM)
Runway Length - K	181 1/8" (4600 MM)
Width Between Runways - L	37 13/16" (960 MM)
Motor	3 HP, 110V, 60 HZ, 1PH
Oil Type / Amount	AW32 or AW46 / ~2.5 Gallons
Breaker	30A
Shipping Weight	1,923 LBS
Shipping Size	182" L * 22" W * 29" H

DIMENSIONS



Warranty

5 YEAR LIFTING STRUCTURE
3 YEAR HYDRAULIC
2 YEAR ELECTRIC

FEATURES

- Boxed Steel Construction & Sleeve Containment
- Hands-free lock release latch system
- Relocatable Power Unit
- Cable Failure Protection -Second safety device will be automatically locked while primary safety locks are out of operation.
- Multi-level locking positions (13 locking positions)
- Heavy-Duty Aircraft Cable (Wire Rope)
- Manual Safety Lock Release
- Skid proof diamond platform
- Proofed by dynamic test with 115% of rated capacity and static test with 150% rated capacity
- Powder coating finish: Granite Gray (RAL 7026) + Rein Orange (RAL 2004)

Standard Accessories (Included)

- Castor Kit (Set of 4)
- Rolling Jack Tray
- Drip Trays (3 pcs)
- Wheel Chocks (2 pcs)
- Ramps (2 pcs)
- Wheel Stops (4 pcs)

Optional Add-On Accessories (Sold Separately)

- Aluminum Ramps
- Rolling Bridge Jack
- Aluminum Center Deck

View it on the website here:



P48P

