

# PS6

6,000 LBS Scissor Parking Lift, Electrical Safety Lock Release



[WWW.STRATUSAUTOEQUIP.COM](http://WWW.STRATUSAUTOEQUIP.COM)

**STRATUS**  
auto equipment

512-640-9896

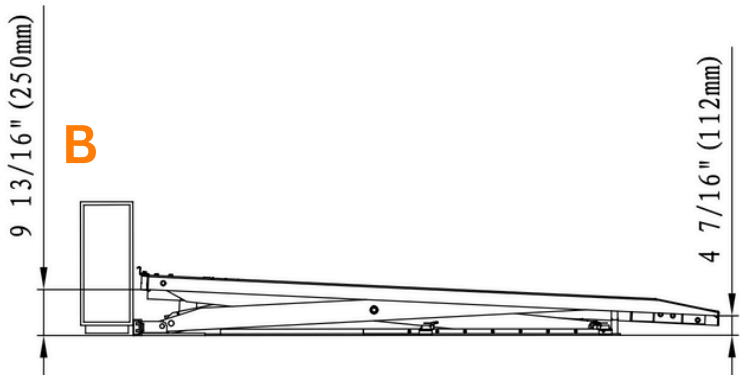
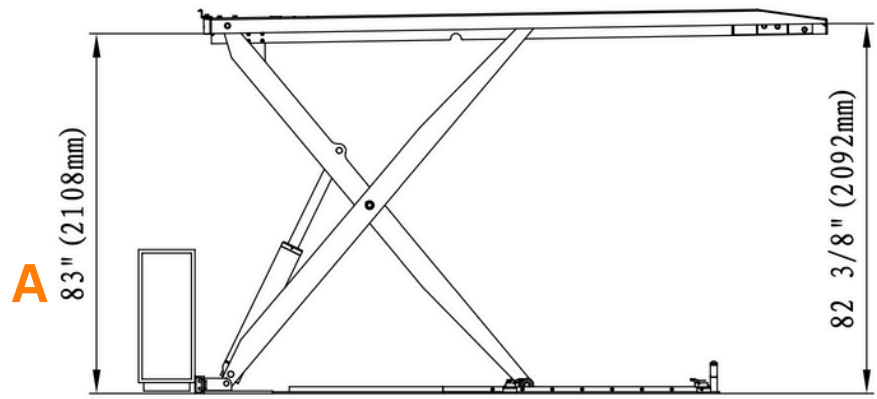
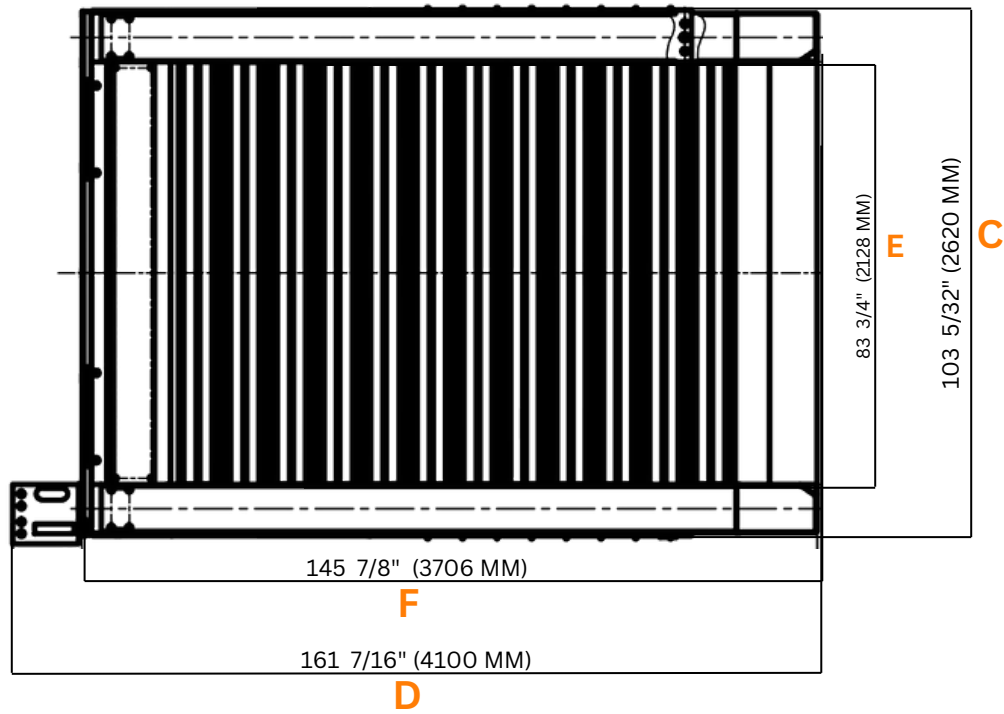
5881 Imperial Loop Dr.

College Station, TX 77845

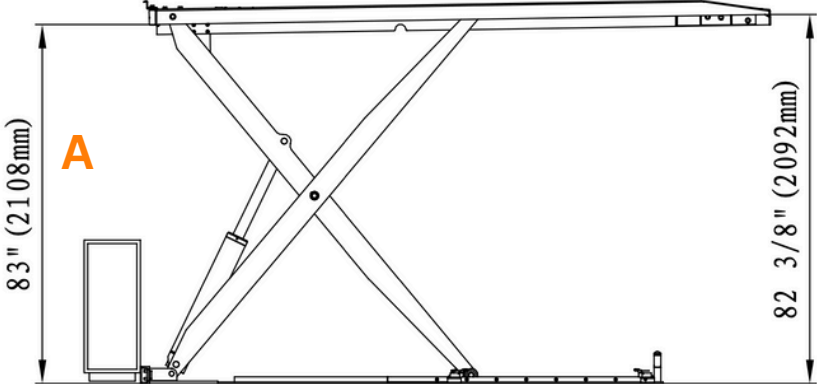
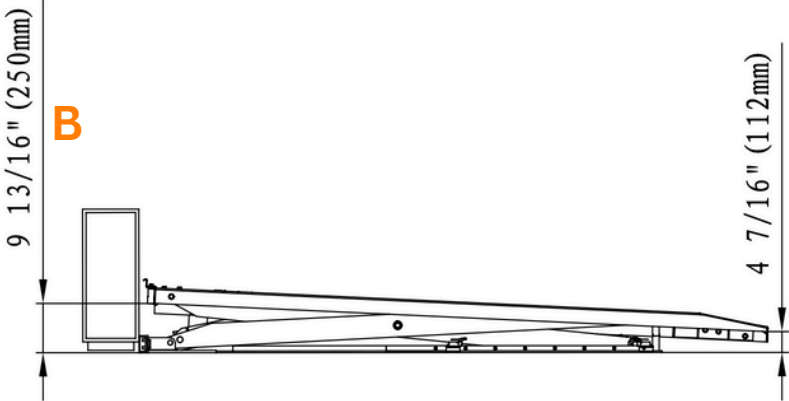
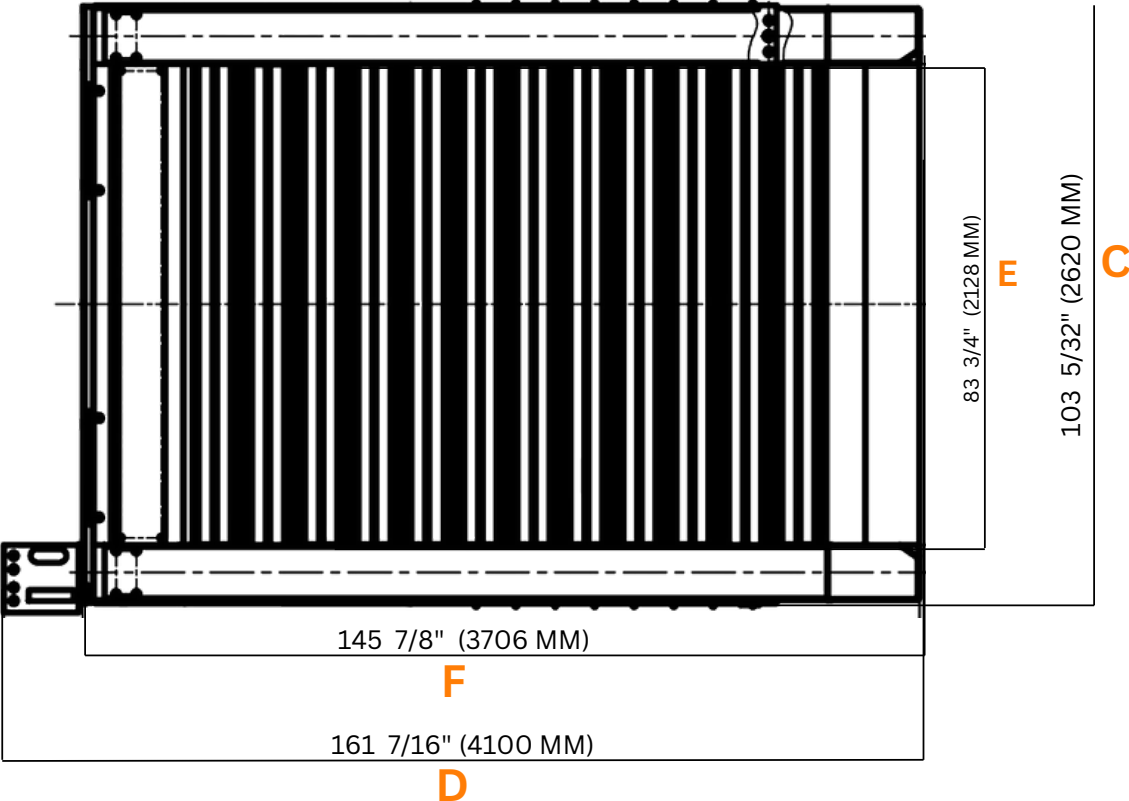
[sales@stratusautoequip.com](mailto:sales@stratusautoequip.com)

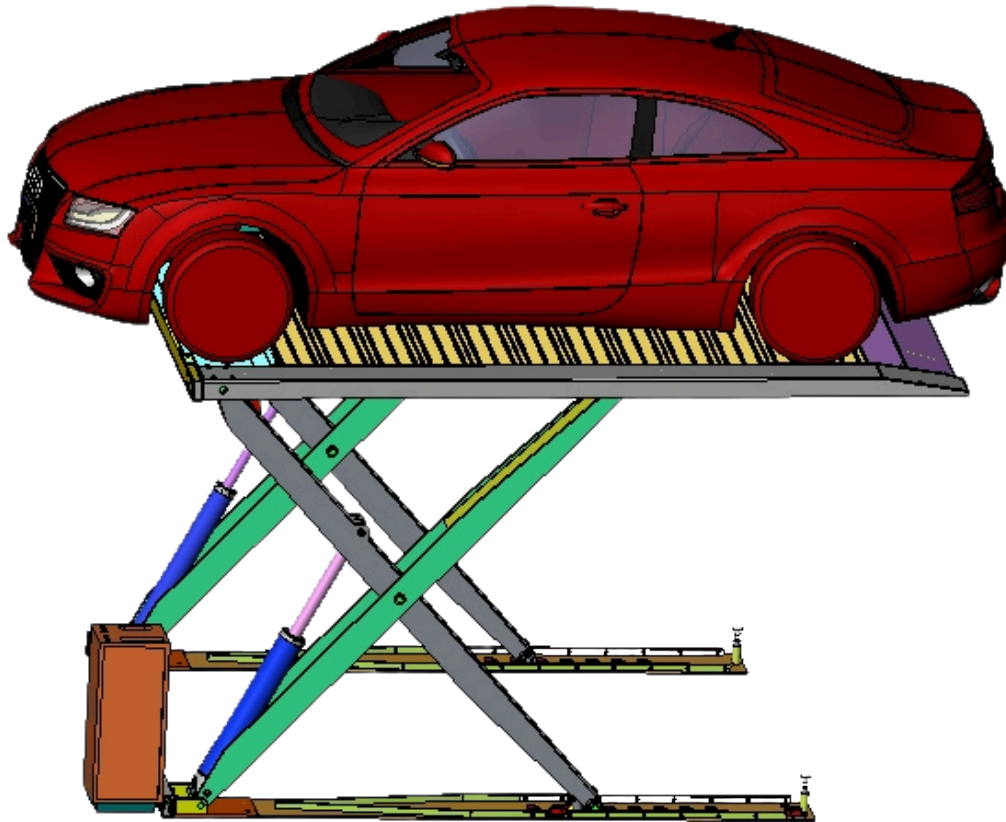
# TECHNICAL

|                             |                     |
|-----------------------------|---------------------|
| Model                       | PS8                 |
| Capacity                    | 6,000 LBS           |
| Lifting Time                |                     |
| Max Height - A              | 83" (2108 mm)       |
| Min Height - B              | 9 13/16" (2108 mm)  |
| Overall Width - C           | 103 5/32" (2620 mm) |
| Overall Length - D          | 161 7/16" (4100 mm) |
| Platform Width - E          | 83 3/4" (2128 mm)   |
| Platform Length - F         | 145 7/8" (3706 mm)  |
| Motor                       | 3 HP, 110V, 1ph     |
| Oil                         | AW32 or AW46        |
| Breaker                     | 30A                 |
| Platform Shipping Weight    | 3109 LBS            |
| Platform Shipping Dimension | 144"L * 29"W * 28"H |



# PS6





# FEATURES

Portable 6,000 LBS lifting capacity

Direct Drive

Fully enclosed vehicle lifting platform

Programmable Logic Controller (PLC)

Commercial grade mobile design

Powder coating finish: Granite Gray (RAL 7026) + Reinorange (RAL 2004)

## WARRANTY

5 YEAR LIFTING STRUCTURE

3 YEAR HYDRAULIC

2 YEAR ELECTRIC

**VISIT OUR WEBSITE:**

